



Changeover Switches

All changeover solutions available

1 pole/2 pole - 3 pole/3 pole
3 pole/3 pole - 3 pole/4 pole
Switches with through N available

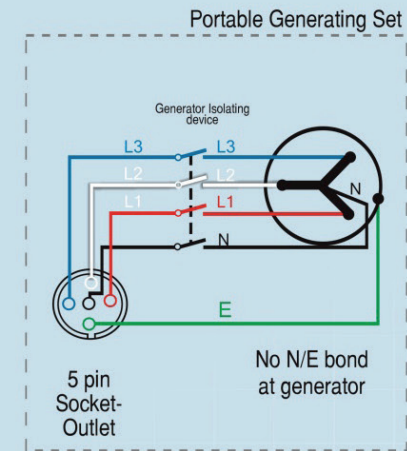
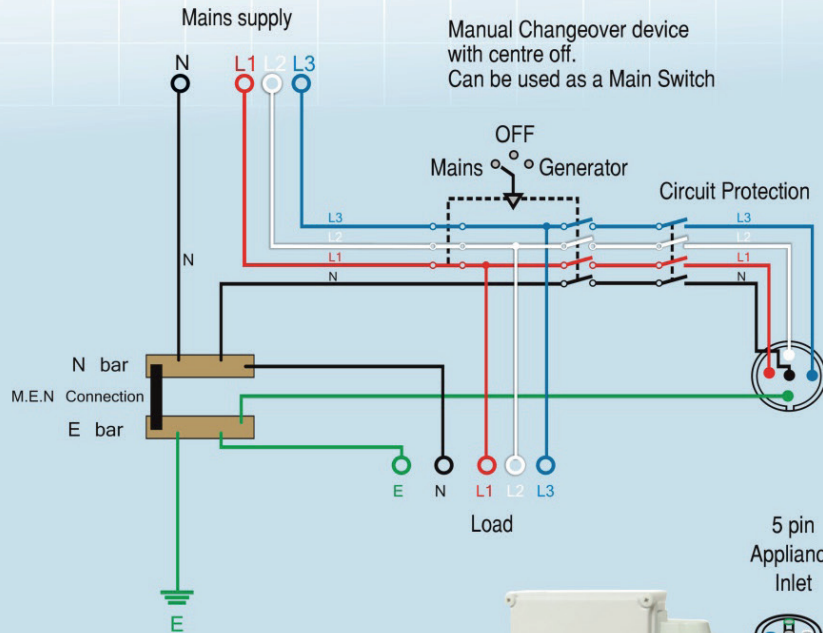


Various mounting options

- Base mount
- Panel mount
- DIN cutout
- Enclosed

Example of connections to AS/NZS 3000:2007 & 3010:2005

For three phase installations (do not switch normal supply neutral)



Kraus & Naimer

have a range
of open and enclosed
changeover and
source selection
switches suitable for
all applications.

